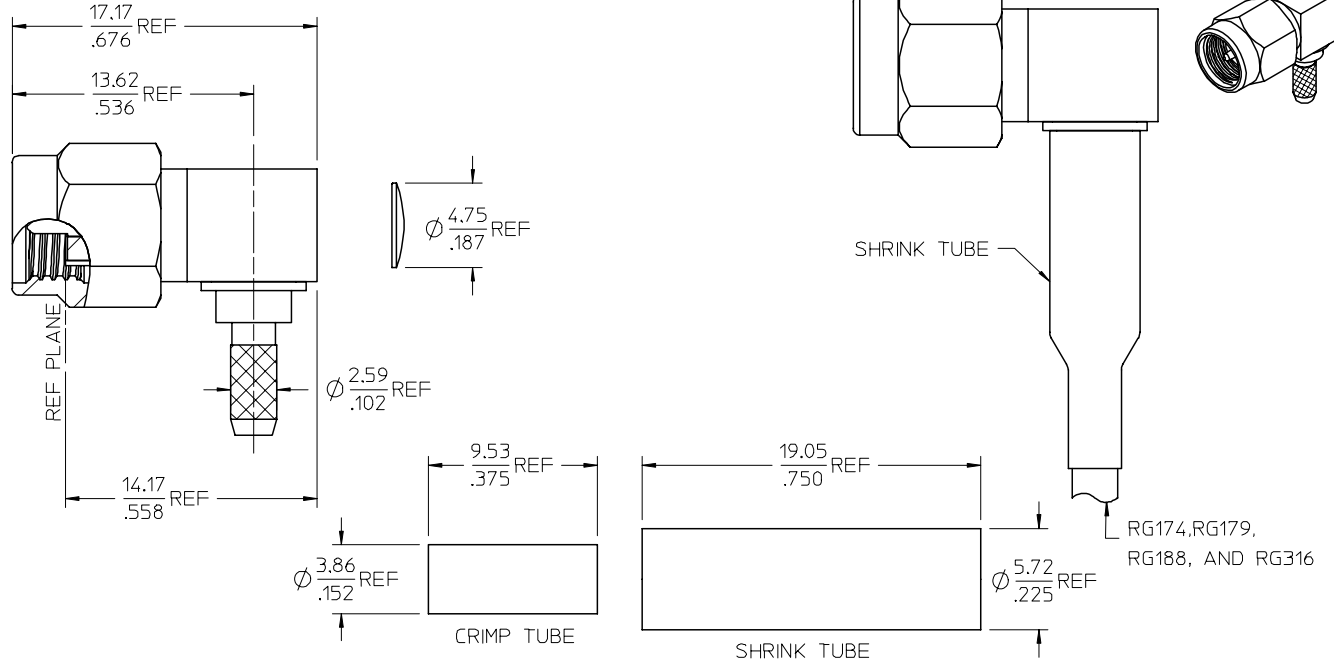


MATERIALS AND FINISHES

- J BODY,REAR BODY,COUPLING NUT BRASS
PLATED GOLD
- I CENTER CONTACT BRASS
PLATED GOLD
- H INSULATOR TEFLON
- H CAP STAINLESS STEEL
PASSIVATED
- G C'RING BERYLLIUM COPPER
- G CRIMP TUBE BRASS
PLATED NICKEL FOR 73391-0230 THRU -0232
PLATED GOLD FOR 73391-0233
- F SHRINK TUBE VERSAFIT



- D PART NO.
73391-0230 WITH OUT SHRINK TUBE
73391-0231 WITH SHRINK TUBE
73391-0233 WITH OUT SHRINK TUBE

ES-89675-1600	CABLE ASSY INSTRUCTION
PS-89675-2900	ELECTRO/MECH PERFORM.
MIL-STD-348A, FIG. 310-1	INTERFACE
SPECIFICATION	DESCRIPTION

73391-0232	73391-0230 BY TRAY (20 CAV.), NICKEL
PART NO.	PACKAGING

CHG: ELECTRO/
MECH SPECIFICATION
WAS PS-89675-1300
SHRINK TUBE WAS
PER MIL-DTL-23053/5
(CLASS I AND III)
EC NO: URF2008-0135
DRAWN: SHAH 2007/09/06
CHKD: FLAHERTY 2007/09/06
APPR: JMLENER 2007/09/06
REV: A3

QUALITY SYMBOLS

 DESCRIPTION

GENERAL TOLERANCES (UNLESS SPECIFIED)	
4 PLACES	± .005
3 PLACES	± .004
2 PLACES	± .003
1 PLACE	± .002
ANGULAR ± 2 °	
DRAFT WHERE APPLICABLE MUST REMAIN WITHIN DIMENSIONS	

DIMENSION STYLE	
MM/IN	
DRAWN BY	DATE
LYNN LIN	2001/01/30
CHECKED BY	DATE
KERRIE	2001/01/30
APPROVED BY	DATE
MISEN	2001/01/30
MATERIAL NO.	
SEE TABLE	

SCALE	DESIGN UNITS	THIRD ANGLE PROJECTION
	METRIC	
TITLE		
SMA PLUG R/A 50 OHMS FOR RG174,179,187,188,316 SMA-PC/RA		
MOLEX INCORPORATED		
DOCUMENT NO.		SHEET NO.
SD-73391-023		1 OF 1
THIS DRAFTING CONTAINS INFORMATION THAT IS PROPRIETARY TO MOLEX INCORPORATED AND SHOULD NOT BE USED WITHOUT WRITTEN PERMISSION		